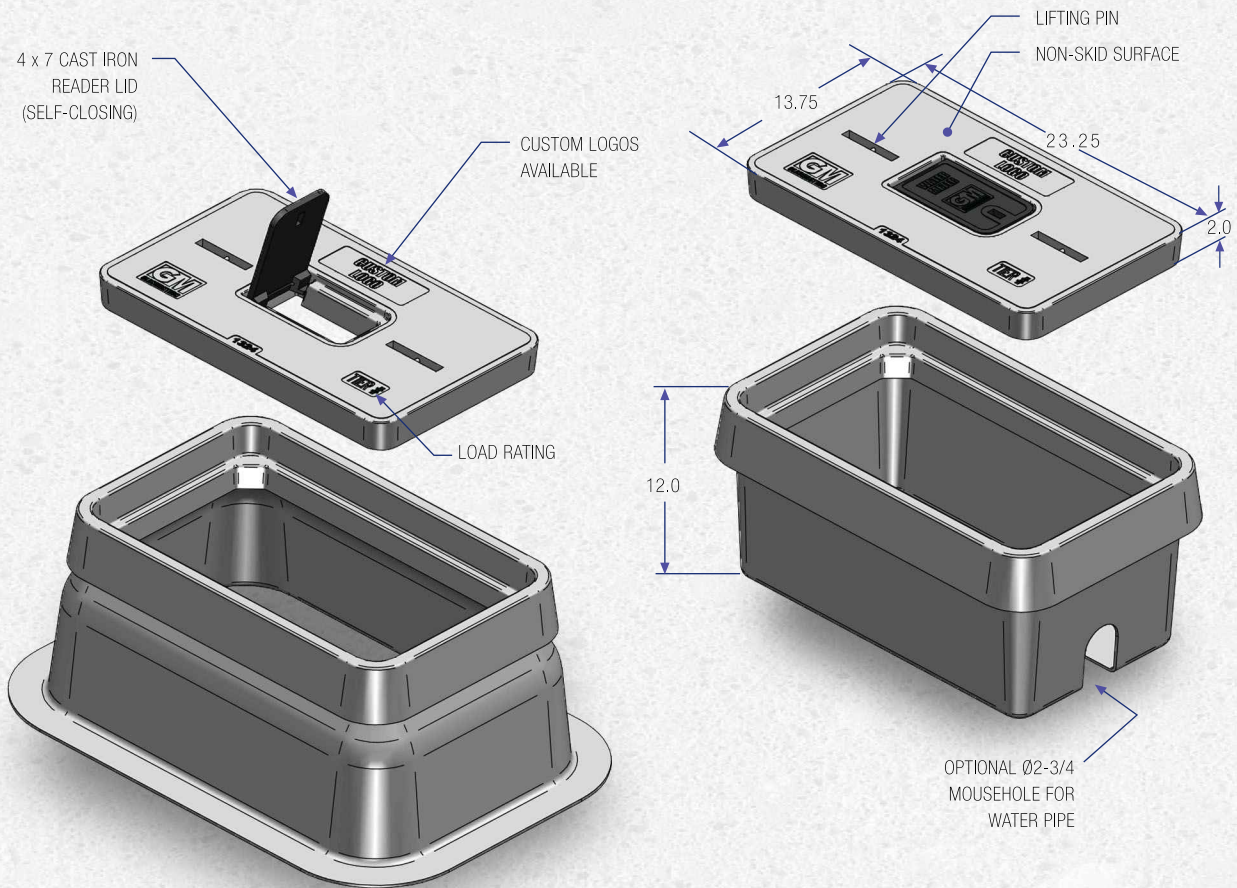


Lids

Part Number	Style	Bolt-Down	Load Ratings	Weight
S1324R	Reader Lid, Hinged 4x7	N	TIER 8, 15	41
S1324E	Elster AMR, 3" Dia	N	TIER 8, 15, 22	44
S1324F	Elster AMR, 3" Dia (Qty 2)	N	TIER 8, 15, 22	44
S1324S	Sensus AMR, 4" Dia	N	TIER 8, 15, 22	44
S1324B	Sensus AMR and 4x7 Reader	N	TIER 8	41



Part Number	Height	Style	Bottom	Bolt-Down	Load Ratings	Weight
S132412S	12	Straight	S, 0, 2	N	TIER 8, 15, 22	38
S132412F	12	Flared	0, 2	N	TIER 8, 15	40

LIDS DESIGNATIONS

Bolt-Down: N - Not Bolted, H - Hex Head Bolts, P - Penta Head Bolts

BOXES DESIGNATIONS

Bottoms: S - Solid, O - Open, 2 - Two Mouseholes, 3 - Three Mouseholes
Bolt-Down: B - Bolted, N - Not Bolted