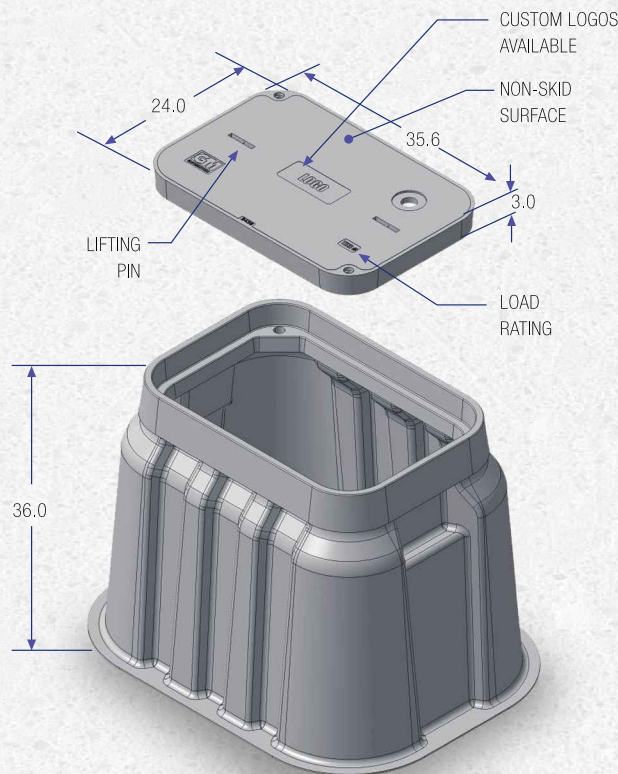


Lids

Part Number	Style	Bolt-Down	Load Ratings	Weight T8-15	Weight T22
S2436P	Solid	N, H, P	TIER 8, 15, 22	110	191
S2436R	Reader Lid, Hinged 6x9	N, H, P	TIER 8, 15	110	N/A
S2436N	Neptune AMR, R450 6" Dia	N, H, P	TIER 8, 15, 22	110	191
S24360	Neptune AMR, R900 4" Dia	N, H, P	TIER 8, 15, 22	110	191
S2436S	Sensus AMR, 4" Dia	N, H, P	TIER 8, 15, 22	110	191
S2436D	Sensus AMR, 4" Dia (Qty 2)	N, H, P	TIER 8, 15, 22	109	191



Enclosures

Part Number	Height	Style	Bottom	Bolt-Down	Load Ratings	Weight
S243618F	18	Flared	0, 2	N, B	TIER 8, 15, 22	124
S243636F	36	Flared	0, 2	N, B	TIER 8, 15, 22	163

LIDS DESIGNATIONS

Bolt-Down: N - Not Bolted, H - Hex Head Bolts, P - Penta Head Bolts

ENCLOSURES DESIGNATIONS

Bottoms: S - Solid, O - Open, 2 - Two Mouseholes, 3 - Three Mouseholes
Bolt-Down: B - Bolted, N - Not Bolted