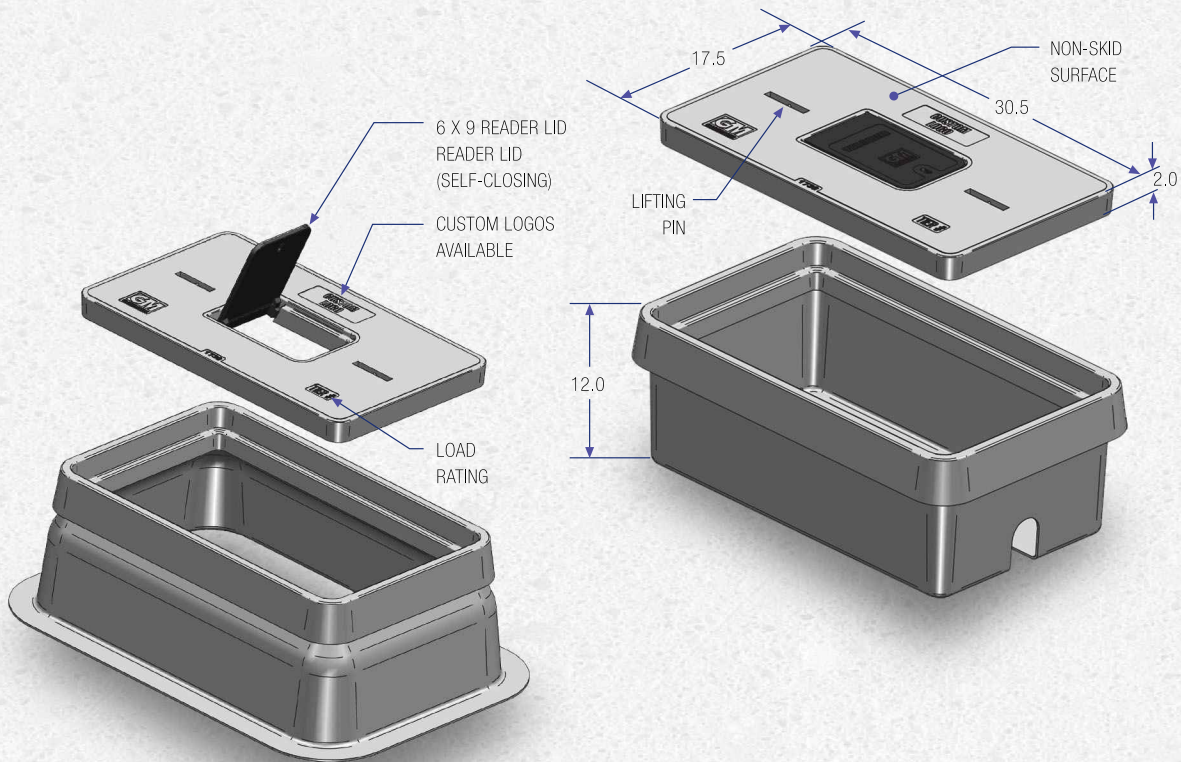


# Lids

Part Number	Style	Bolt-Down	Load Ratings	Weight
S1730P	Solid	N	TIER 8, 15, 22	76
S1730R	Reader Lid, Hinged 6x9	N	TIER 8, 15	70
S1730N	Neptune AMR, R450 6" Dia	N	TIER 8, 15, 22	75
S1730S	Sensus AMR, 4" Dia	N, H, P	TIER 8, 15, 22	75
S1730B	Sensus AMR and 6x9 Reader	N	TIER 8	70



# Boxes

Part Number	Height	Style	Bottom	Bolt-Down	Available Load Ratings	Weight
S173012S	12	Straight	S, 0, 2	N, B	TIER 8, 15, 22	53
S173018F	18	Flared	0, 2	N, B	TIER 8, 15	62

**LIDS DESIGNATIONS**

**Bolt-Down:** **N** - Not Bolted, **H** - Hex Head Bolts, **P** - Penta Head Bolts

**BOXES DESIGNATIONS**

**Bottoms:** **S** - Solid, **O** - Open, **2** - Two Mouseholes, **3** - Three Mouseholes  
**Bolt-Down:** **B** - Bolted, **N** - Not Bolted

**GlasMasters** | Raising the Standards in Underground Enclosures

8873 Western Way, Jacksonville, FL 32256 | Ph 904 358-1779 | Fax 904 358-1702  
[www.GlasMasters.com](http://www.GlasMasters.com)

