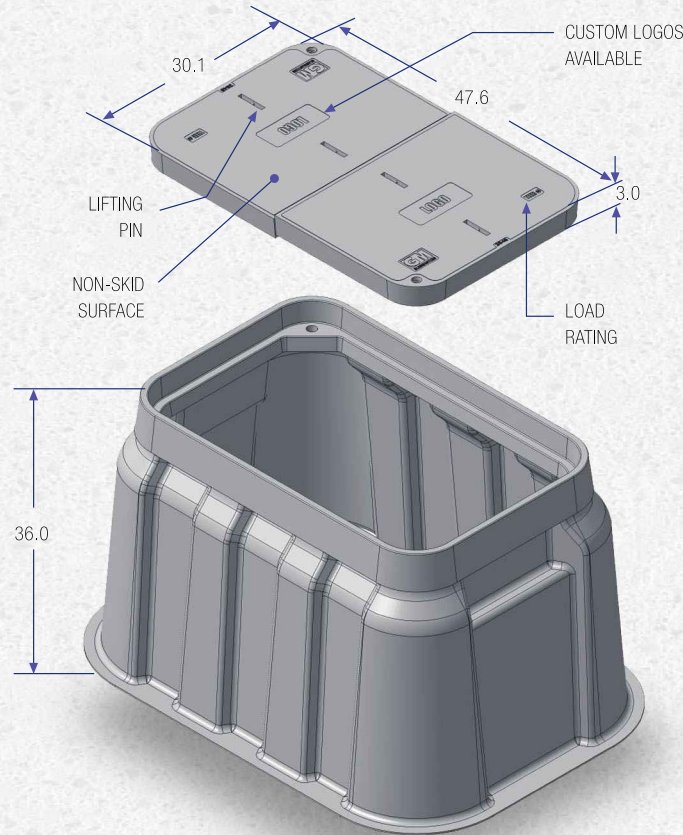


## Lids (2 Piece)

Part Number	Style	Bolt-Down	Load Ratings	Weight T8-15	Weight T22
M3048P	Solid	N, H, P	TIER 8, 15, 22	90 x 2	162 x 2
M3048R	Reader Lid, Hinged 6x9	N, H, P	TIER 8, 15	90 x 2	162 x 2
M3048N	Neptune AMR, R450 6" Dia	N, H, P	TIER 8, 15, 22	90 x 2	162 x 2
M3048O	Neptune AMR, R900 4" Dia	N, H, P	TIER 8, 15, 22	90 x 2	162 x 2
M3048S	Sensus AMR, 4" Dia	N, H, P	TIER 8, 15, 22	90 x 2	162 x 2
M3048D	Sensus AMR, 4" Dia (Qty 2)	N, H, P	TIER 8, 15, 22	90 x 2	162 x 2



## Enclosures

Part Number	Height	Style	Bottom	Bolt-Down	Load Ratings	Weight
S304824F	24	Flared	0, 2	N, B	Tier 8, 15, 22	180
S304836F	36	Flared	0, 2	N, B	Tier 8, 15, 22	211

### LIDS DESIGNATIONS

**Bolt-Down:** N - Not Bolted, H - Hex Head Bolts, P - Penta Head Bolts

### ENCLOSURES DESIGNATIONS

**Bottoms:** S - Solid, O - Open, 2 - Two Mouseholes, 3 - Three Mouseholes  
**Bolt-Down:** B - Bolted, N - Not Bolted

**GlasMasters** | Raising the Standards in Underground Enclosures

8873 Western Way, Jacksonville, FL 32256 | Ph 904 358-1779 | Fax 904 358-1702  
www.GlasMasters.com

