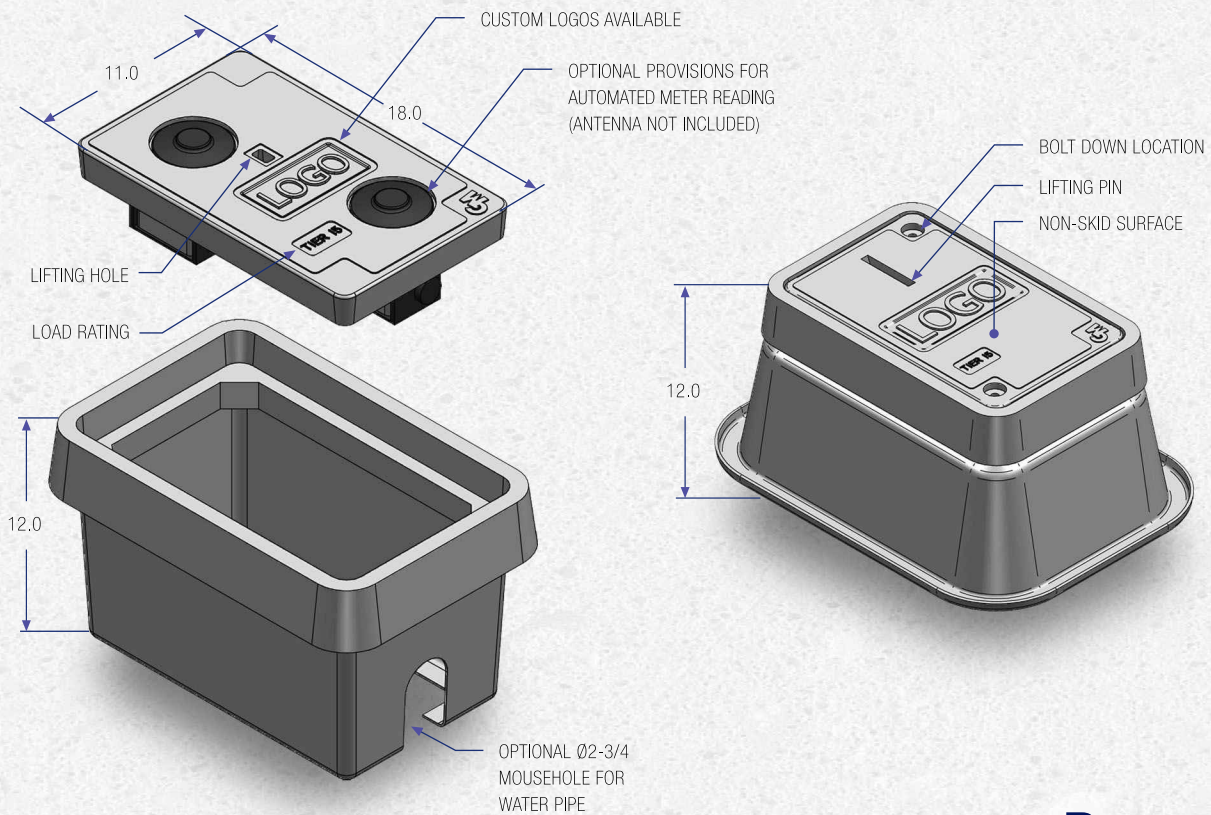


Lids

Part Number	Style	Bolt-Down	Load Ratings	Weight
S1118P	Solid	N, H, P	TIER 8, 15, 22	25
S1118R	Reader Lid, Hinged 4x7	N	TIER 8, 15	24
S1118E	Elster AMR, 3" Dia	N	TIER 8, 15, 22	24
S1118N	Neptune AMR, R450 6" Dia	N	TIER 8, 15, 22	24
S1118S	Sensus AMR, 4" Dia	N, H, P	TIER 8, 15, 22	24
S1118B	Sensus AMR and 4x7 Reader	N	TIER 8	23



Boxes

Part Number	Height	Style	Bottom	Bolt-Down	Load Ratings	Weight
S111812S	12	Straight	S, 0, 2	N, B	TIER 8, 15, 22	25
S111812F	12	Flared	0, 2	N, B	TIER 8, 15	27

LIDS DESIGNATIONS

Bolt-Down: N - Not Bolted, H - Hex Head Bolts, P - Penta Head Bolts

BOXES DESIGNATIONS

Bottoms: S - Solid, O - Open, 2 - Two Mouseholes, 3 - Three Mouseholes
Bolt-Down: B - Bolted, N - Not Bolted